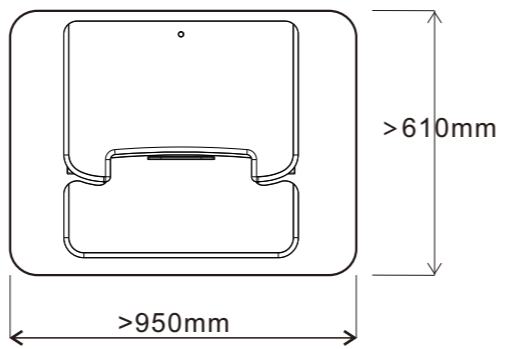
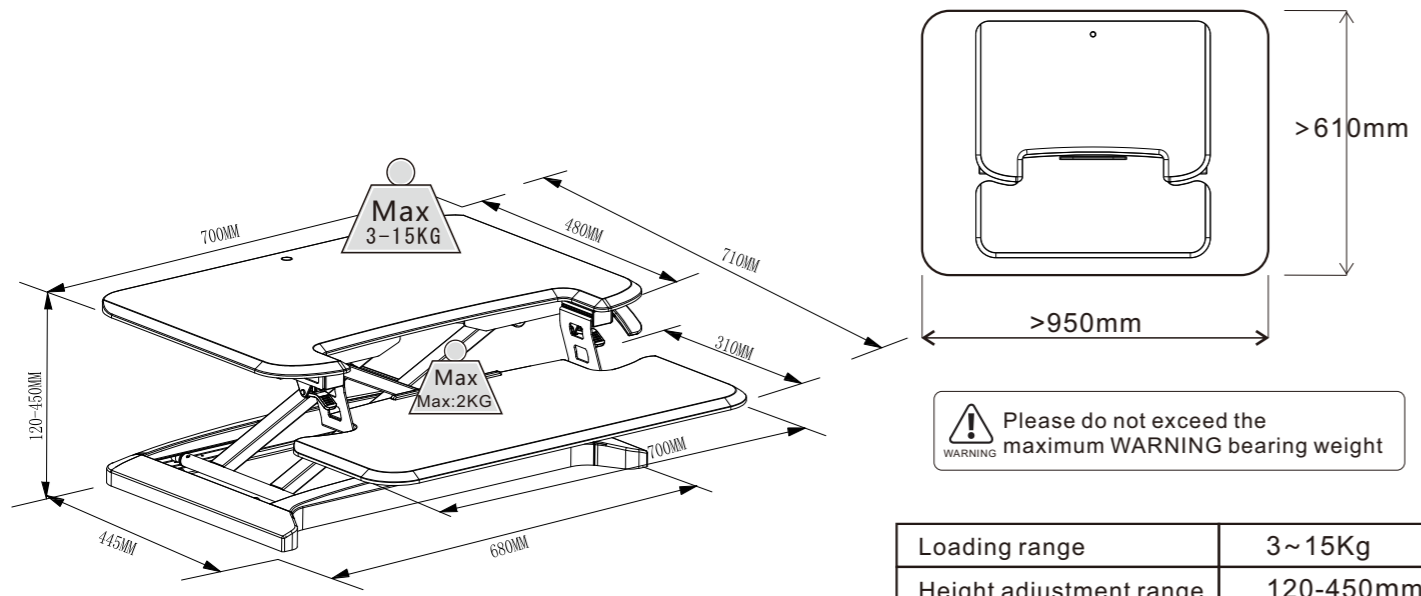
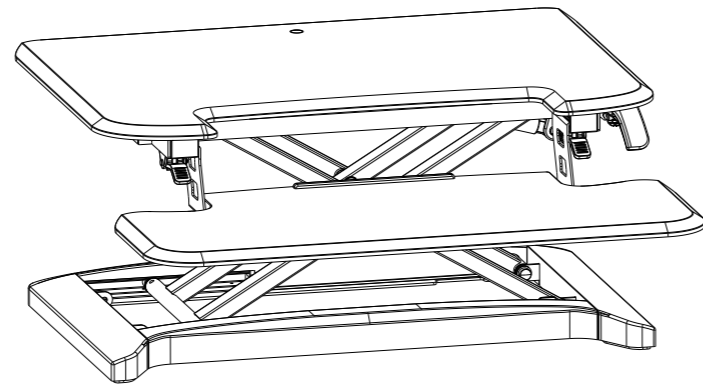
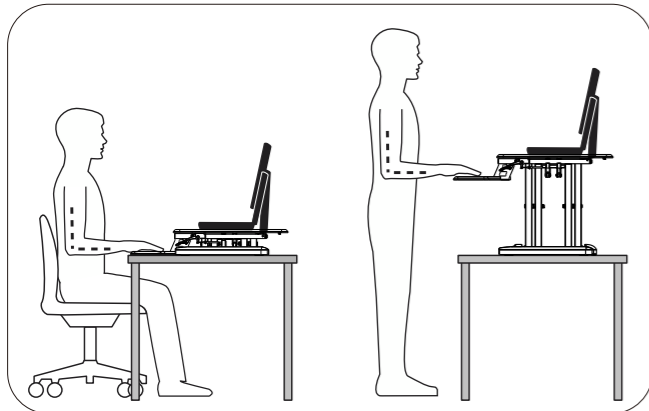
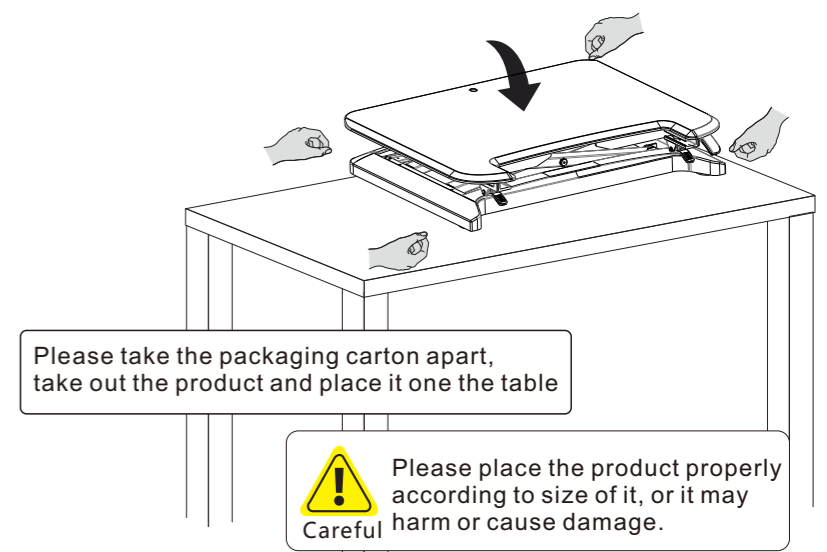
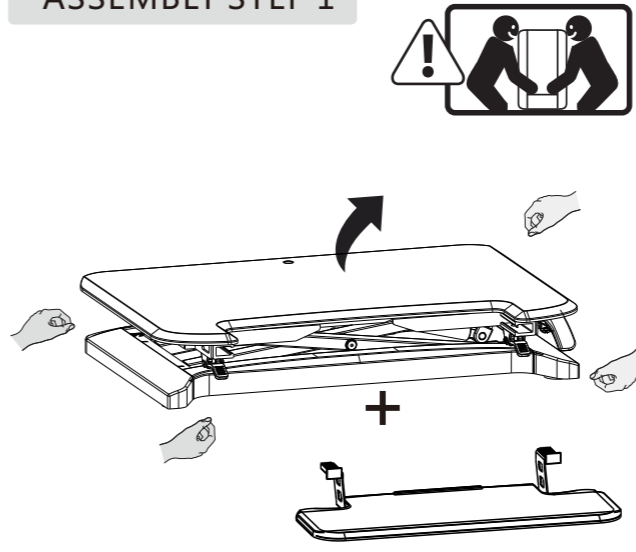


Item No. : 13.WVH.000
Installation guide

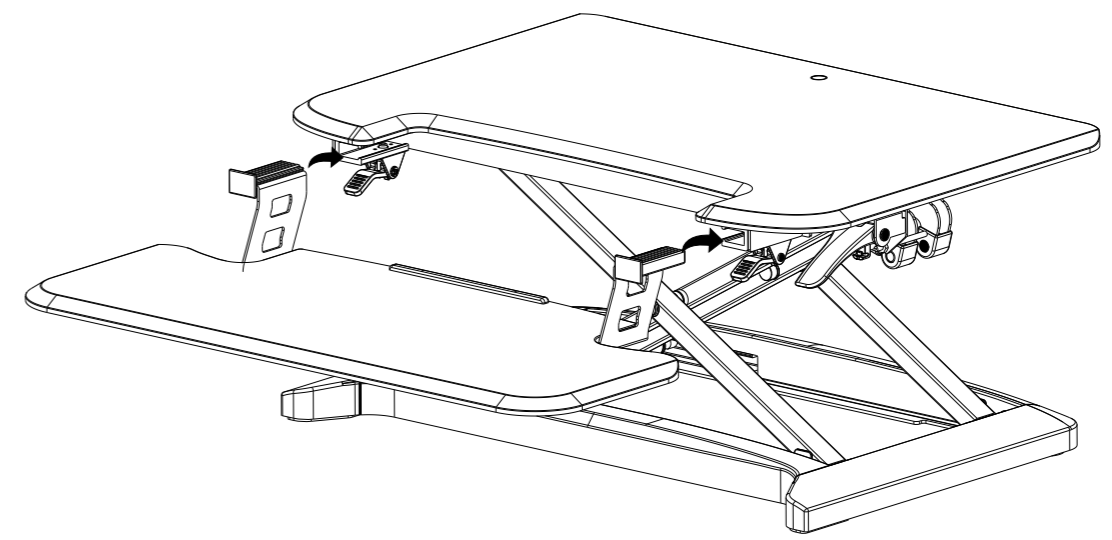


ASSEMBLY STEP 1

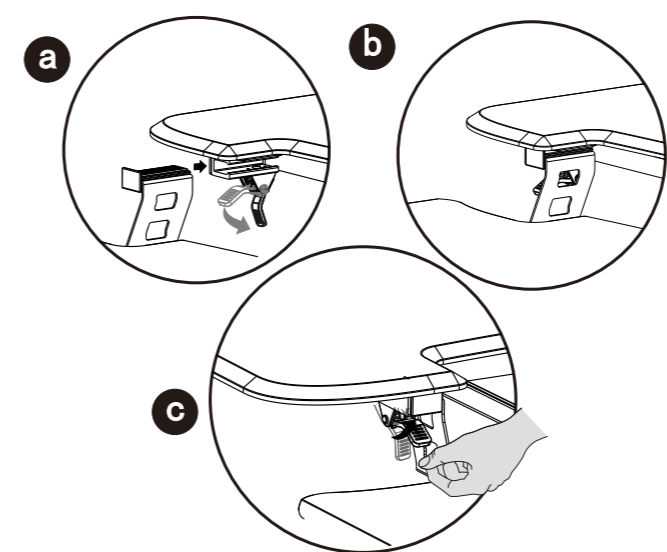


Careful Please place the product properly according to size of it, or it may harm or cause damage.

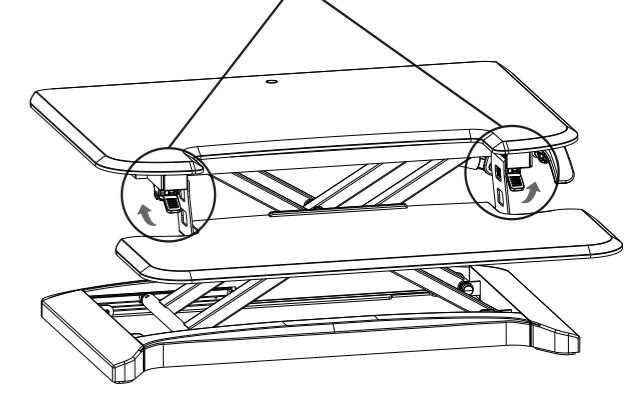
ASSEMBLY STEP 2



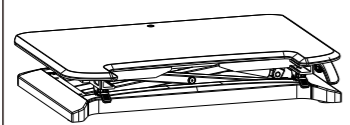


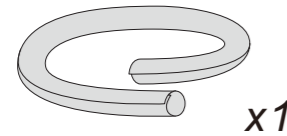
Hang the junction plate on the knob assembled and then tighten the Knob



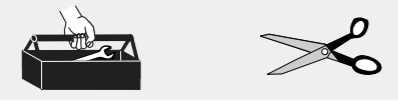
When removing the keyboard, please open the wrench and remove the keypad



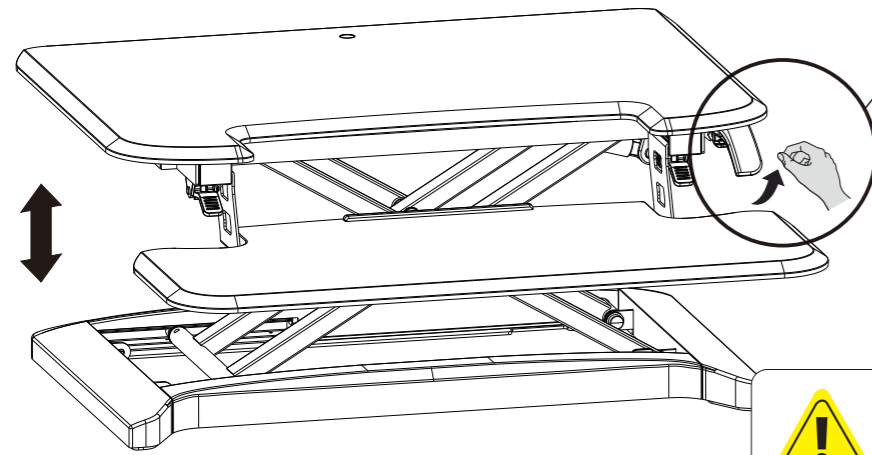
Accessory Package List

| No. | Spare part | No. | Spare part | No. | Spare part |
|-----|--|-----|--|-----|--|
| A |  x1 | B |  x1 | C |  x4 |
| No. | Spare part | | | | |
| D |  x1 | | | | |

TOOLS



ASSEMBLY STEP 3



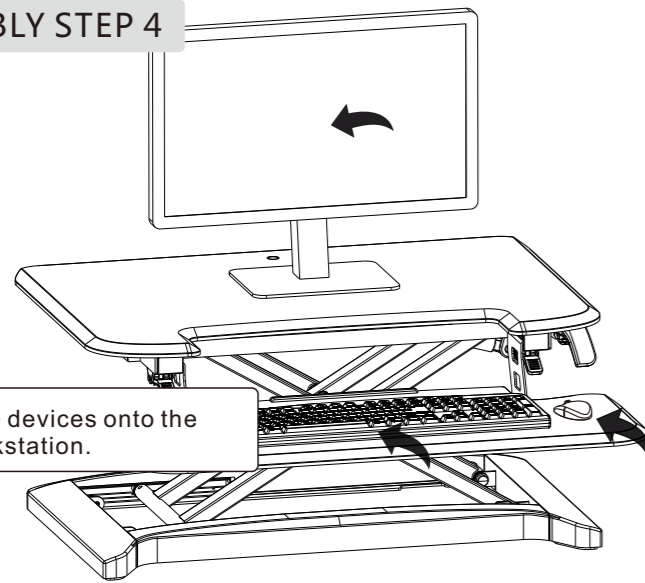
Based on the actual usage, press the handle grips simultaneously, and adjust the workstation to the proper height



Please do not put hands near the supporting bars, as they change during adjusting and may hurt you.

Warning

ASSEMBLY STEP 4



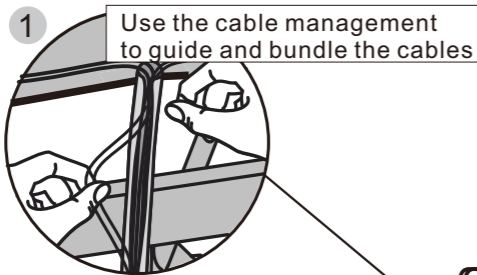
Please put the devices onto the top of the workstation.



Please make sure all installed equipments are on the table, and not sticking out of the edge, or it may harm or cause damage.

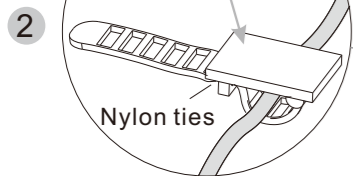
Careful

ASSEMBLY STEP 5



1 Use the cable management to guide and bundle the cables

This surface is with glue, helping to fix the cable management on the table



2 Nylon ties

Cable



Careful

Adhesive buckle helps to make the cables tidy and clean. Please leave enough length of cable for height adjustment function, otherwise it may cause unexpected lost.

WARNING

Hands Pinching
Do not place your hand near the strut. Strut's angle will change during the desktop lifts and it may hurt you.



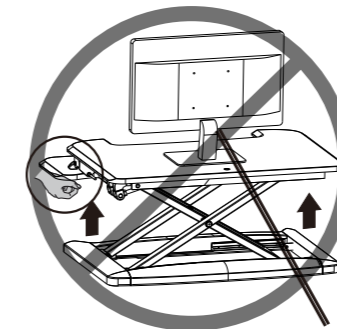
Warning

Please do not put hands near the supporting bars, as they change during adjusting and may hurt you.



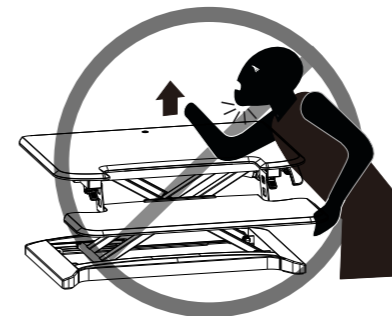
Attention

Please make sure all installed equipments are on the table, and not sticking out of the edge, or it may harm or cause damage.



Attention

Please leave enough length of cable for height adjustment function, otherwise it may cause unexpected lost.



Attention

Please first adjust it to the highest, then remove equipment to avoid harm or damage.



Attention

Please move it by two persons, or parts may collide and cause damage.