

Whether you know it as the Munkegaard chair or the Mosquito chair, it is an iconic and stylish piece of furniture that doesn't conform to the norm. But that doesn't mean it's impractical - as a matter of fact, it's quite the opposite.

Functionality was a prerequisite for the Munkegaard chair. Originally designed for the Munkegaard School, the chair had to be easily stacked to optimise the limited space available, extremely durable, and of course, comfortable to sit in for extended periods of time.

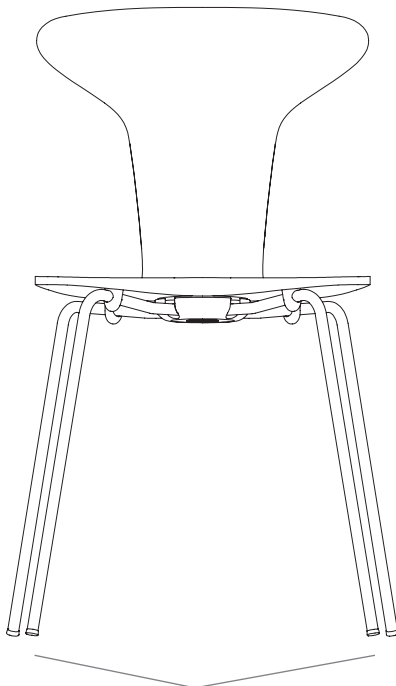
Strong, proud and downright practical, the Munkegaard chair is the epitome of modernist design.

#### TESTING AND WARRANTY

The chair has been tested to EN 16139:2013, level 2 for stability, strength, and durability. The Munkegaard chair carries the HOWE 5 year warranty.

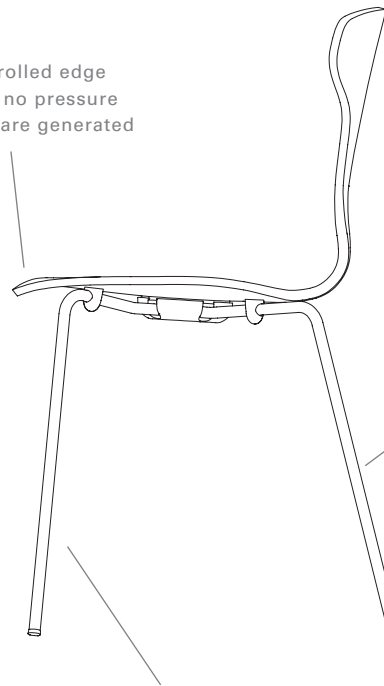
The Munkegaard chair is FSC certified.

Options:  
Natural or stained wood veneers.  
Full upholstered



Glides for floor protection.

A soft rolled edge means no pressure points are generated



Chrome3 - the most environmental friendly chrome solution or powder coated frame

Steel tube legs.  
Strength without compromise to design