



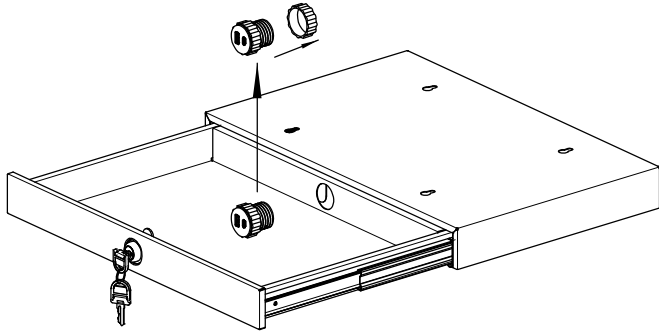
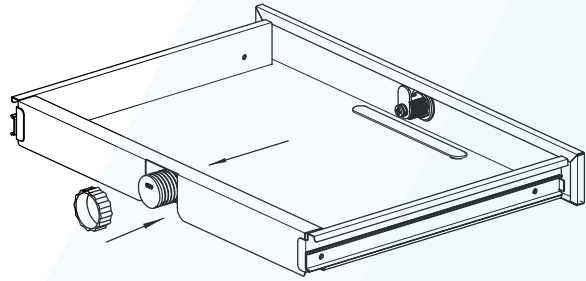


# Manual

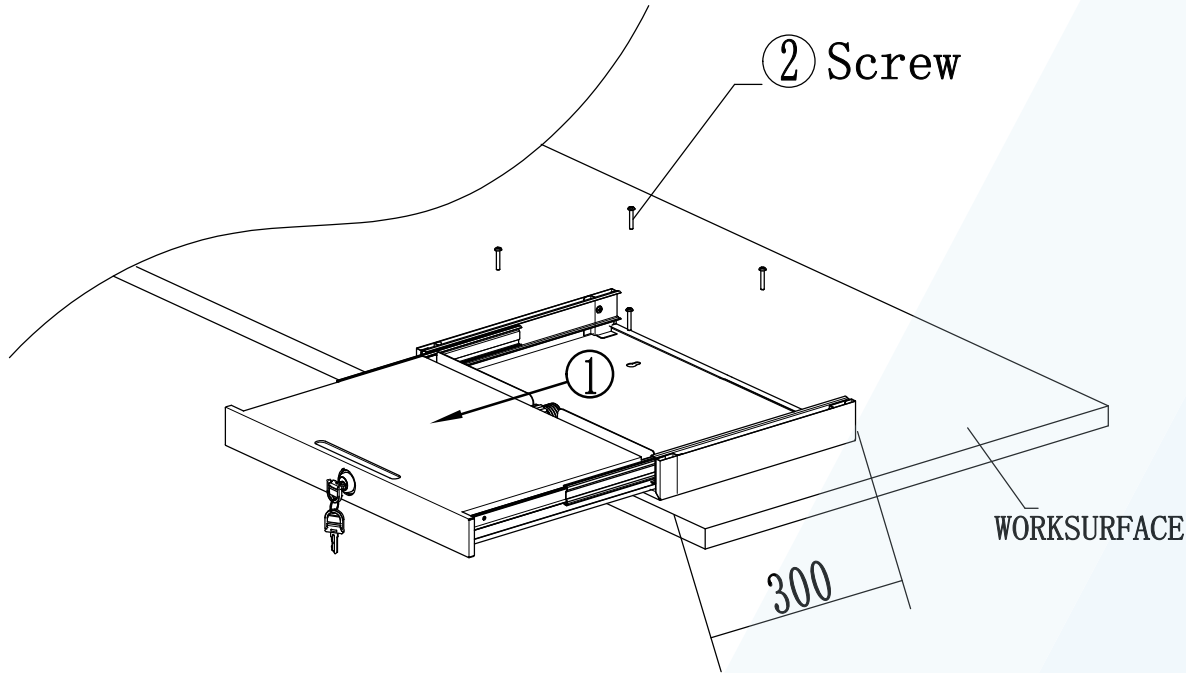
809118/809119 PARTS LIST		
PHOTO	DESCRIPTION	QUANTITY
	Mini Drawer Box	1
	5*25 Screws	4
	Key	1
	USB extension (5V3.1A)	1



STEP 1 : Open the drawer, remove the USB extension (5V3.1A), and unscrew the plastic nut



STEP 2 : Insert the USB extension (5V3.1A) into the hole at the back of the drawer and secure it with a plastic nut



② Screw

①

WORKSURFACE

300

### INSTALLATION

STEP ① : Put the drawer box under the worksurface and pull out the drawer

STEP ② : With screw driver to install the 4 screws to fix the box