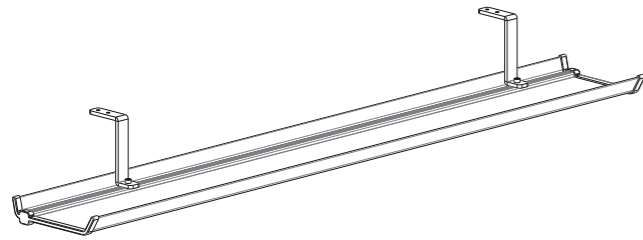


euroseats

Item No.: 18.KBL.002

Installation guide



Accessory list

Attention: The drawings below are only for reference which might be slightly different from the actual object, please in kind prevail. Any tools missing or installation problems, please contact the customer service firstly.

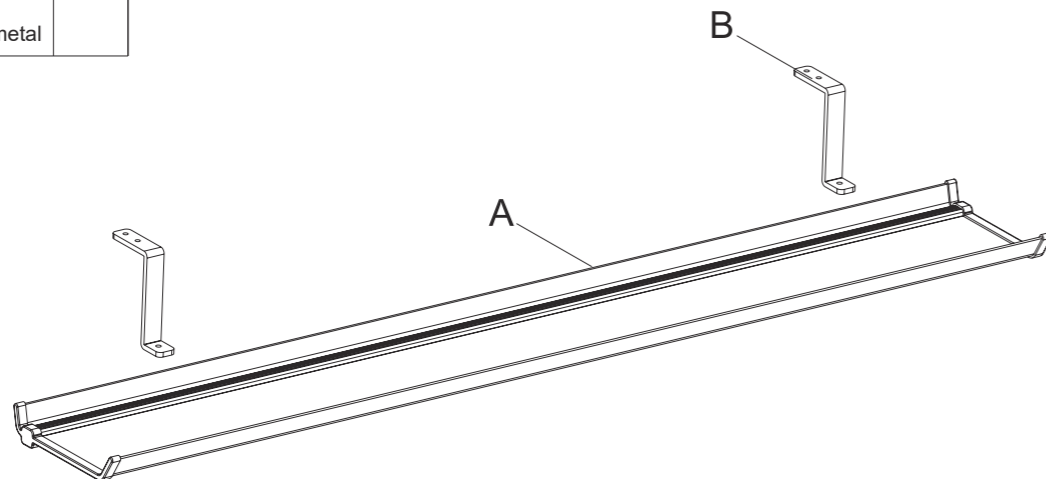
| No. | Image | Spec | Qty |
|-----|-------|---------------|-----|
| 1 | | M5 | 2 |
| 2 | | ST4.2 | 4 |
| 3 | | Nut | 2 |
| 4 | | Allen Key 4x4 | 1 |

Specification

Length 1100mm

Component list

| | | |
|-----|----------------|-----|
| No. | Part | Qty |
| A | Cable tray | 1 |
| No. | Part | Qty |
| B | Sheetmetal | 2 |

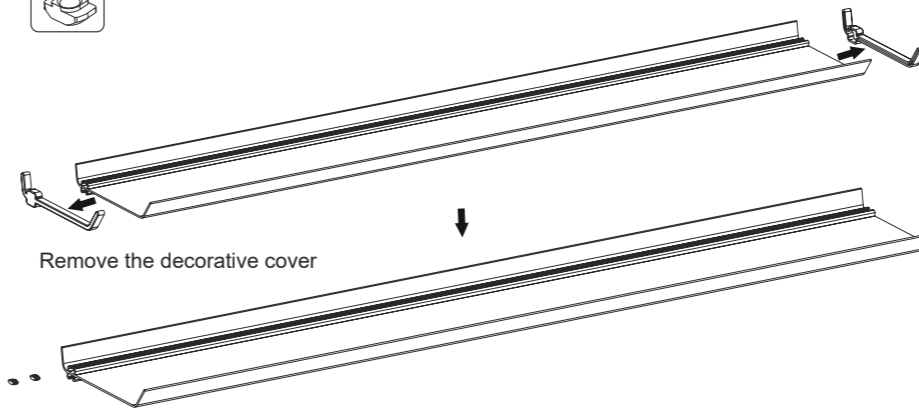


STEP 1

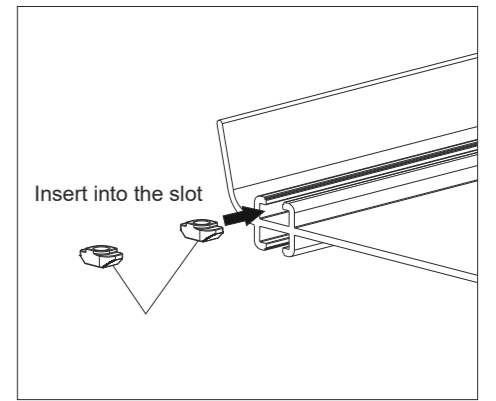
Install the nut

3 x2

Remove the decorative cover



Remove the decorative cover



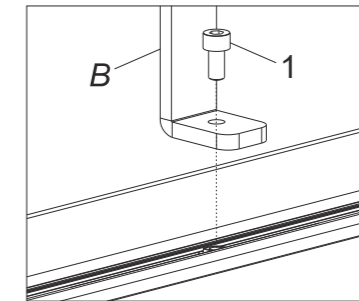
Insert into the slot

Insert the two nuts(3) into the slot.

STEP 2

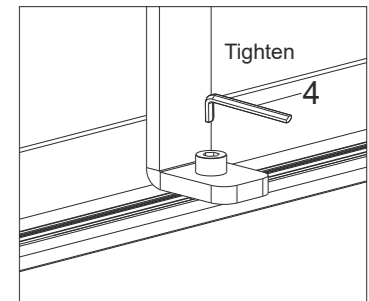
Install the sheetmetal

4
4x4



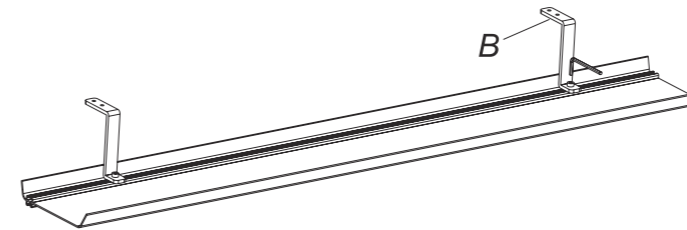
B

1



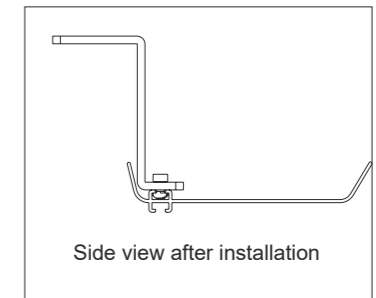
Tighten

4



B

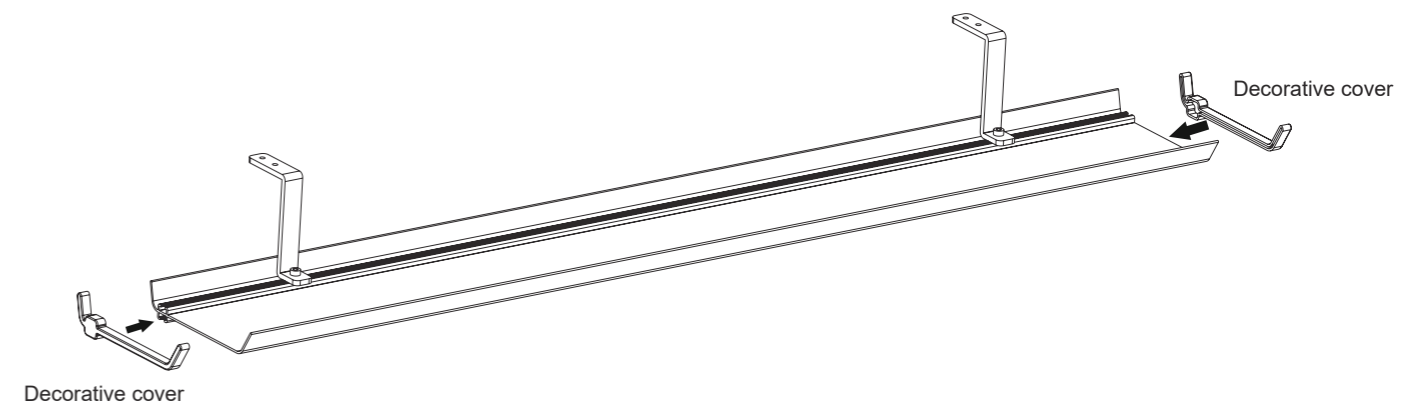
Connect the sheetmetal(B) with the nuts(3), secure with screws(1), and tighten with the wrench(4).



Side view after installation

STEP 3

Attach the decorative cover

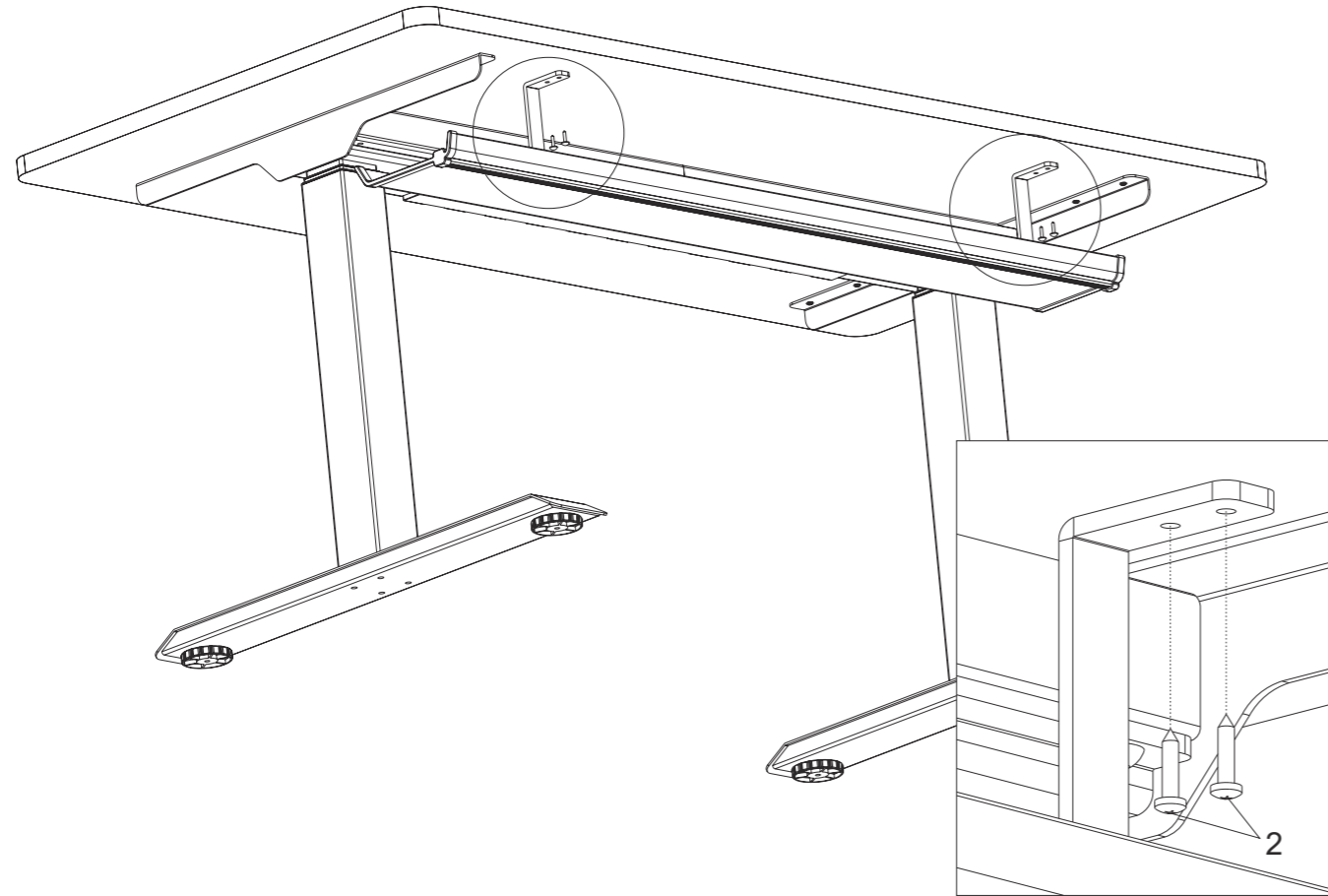


Decorative cover

Decorative cover

STEP 4

Install the cable tray



⚠ CAUTION

- This product contains small items that could be a choking hazard if swallowed. Keep these items away from young children.
- Make Sure these instructions are read and completely understood before attempting installation. If you are unsure of any part of this installation, please contact a professional Partition installer for assistance. Tighten the screws after adjusting the clamp, screw
 - Children are forbidden to play on the product because of unforeseen action when playing, so any dangerous consequences caused by this improper action will not be on response. the screws (2) staggeredly into the partition.
 - This appliance can be used by children aged from 8 years and above and persons with reduced physical, sensory or mental capabilities or lack of experience and knowledge if they have been given supervision or instruction concerning use of the appliance in a safe way and understand the hazards involved. Children shall not play with the appliance.
 - Cleaning and user maintenance shall not be made by children without supervision.
 - Please make sure there is no hazard sources in your operating environment. e.g., do not litter the tools around. Always be careful to treat the packaging materials in order to avoid any possible danger, e.g. plastic bag may lead to choking hazard to children.
 - Keep the original package of the equipment if necessary in case of the future use in transportation.

Euroseats B.V.
Deventerweg 7
3771 NP
Barneveld
Netherlands